



Auxiliary Power

Generator Products

BLCD16DIM



Project: _____
Type: _____
Model No: _____ Qty: _____
Date: _____
Notes: _____

Emergency lighting control unit
0-10 Vdc dimmer override
Supports lighting load up to 16A

Product order number: BLCD16DIM

Specifications

UL LISTED for US and Canada
UL924 Emergency Lighting Compliant
Field Installation (Indoor and Damp)

Full Warranty
5 Years

Input Voltage
120/277 VAC, 50/60 Hz

LED Lighting Load Rating
Up to 16A electronic ballast rating

Temperature Rating (Ambient)
-35°C to +60°C (-30°F to +140°F)

Relative Humidity Range
5 to 95%, (noncondensing)

Housing
UL accepted for use in Plenum, NEMA 1

Wire
16" 600V Rated

Dimensions
4.0"x 4.0"x 1.81" with a 1/2" threaded nipple
(101.6 mm x 101.6 mm x 45.97 mm)

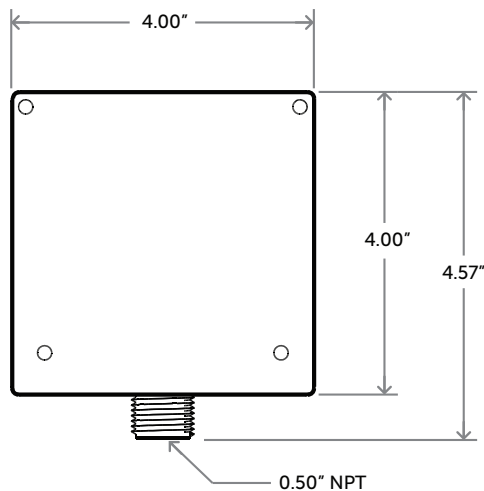
Weight
0.675 lbs.

Benefits:

- Allows generator supplied emergency lighting regardless of wall switch position
- Energy cost savings benefits by eliminating constant night lighting
- LED rating – Up to 16 Amp electronic ballast rating
- Small size - Can be mounted onto a junction box
- 0-10 Vdc dimmer override
- Plenum Rated (UL 2043)
- Interfaces with fire alarm panel or security system

Dimensions

4.0" x 4.0" x 1.81"



BLCD16DIM

APPLICATION

The BLCD16DIM works in conjunction with an auxiliary generator or central inverter system. The unit is designed to control lighting in areas where emergency lighting fixtures are connected on dedicated emergency lighting circuits that are typically on 24 hours per day. The BLCD16DIM allows normal control of emergency lighting for energy savings and/or task related reasons while strictly adhering to National Electric Code (NEC) requirements. It is suitable for any application where enhanced energy saving of emergency lighting is desired.

OPERATION

The BLCD16DIM senses the loss of normal power and switches the lighting load on, connecting it to a user designated emergency circuit. The BLCD16DIM can be used to override a 0-10V dimmer to full brightness. No routine maintenance is required to keep the BLCD16DIM functional; however, like other life safety unit equipment, it should be checked periodically to ensure that it is working properly.

INSTALLATION

The BLCD16DIM does not affect normal fixture operation and comes fully assembled for immediate installation. In addition to available wiring, the device requires a direct, unswitched connection to a normal power circuit and, depending on the application, an unswitched connection to a generator-supplied or central inverter system-supplied emergency panel. See wiring diagram for typical installation.

UL and CODE COMPLIANCE

The BLCD16DIM has been tested by Underwriters Laboratories in accordance with the standards set forth in UL 924 as "Emergency Lighting Equipment" and UL 2043 as plenum rated. The BLCD16DIM is UL and cUL listed for field installation in the US and Canada.

SPECIFICATION

Emergency egress lighting shall be provided by using existing lighting loads equipped with a Philips Bodine BLCD16DIM emergency lighting relay control unit. The unit shall be capable of controlling dedicated emergency

lighting fixtures and energizing them when normal utility power has been lost. The unit shall consist of relay switching circuitry, a test switch, normal and emergency power indicator lights contained in one 4" x 4" x 1.81" enclosure; shall sense normal power at 120-277 VAC, 50/60 Hz; and be rated for 120-277 VAC, 50/60 Hz at up to 16 amps of lighting load. The unit shall be UL Listed for field installation and shall be warranted for a full five years from date of purchase.

WARRANTY

The BLCD16DIM emergency lighting control unit is warranted for five (5) full years from date of purchase. Please see detailed warranty information on our website.

© 2018 Signify Holding. All rights reserved. The information provided herein is subject to change, without notice. Signify does not give any representation or warranty as to the accuracy or completeness of the information included herein and shall not be liable for any action in reliance thereon. The information presented in this document is not intended as any commercial offer and does not form part of any quotation or contract, unless otherwise agreed by Signify.



Philips Emergency Lighting
236 Mt. Pleasant Rd.
Collierville, TN 38017
Tech Support: 888.263.4638
Sales: 800.223.5728

philips.com/bodine